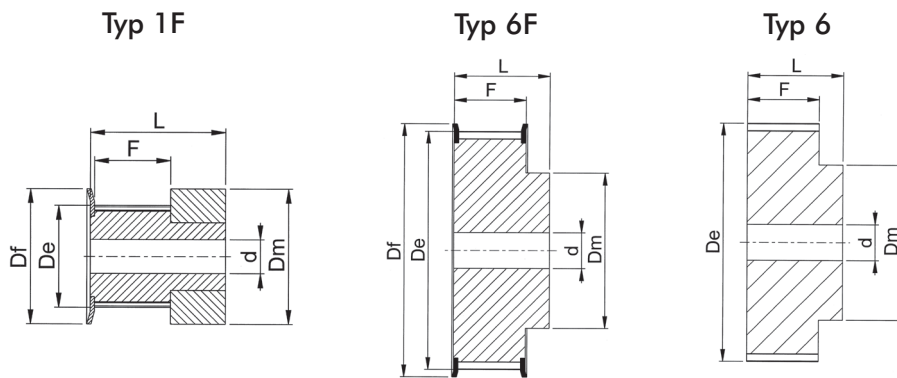


Zahnriemenscheiben

Zahnriemenscheiben metrische Teilung



T 2,5

Teilung: 2,5 mm
Zahnriemenbreite: 6 mm

Artikel-Nr.	Typ	Bordscheiben	Zähne	Dp	De	Df	Dm	F	L	Vorbereitung d
[mm]										
ZR 16T2,5/12-2	1F	F01	12	9,60	9,00	13,0	13	9	16	4
ZR 16T2,5/14-2	1F	F02	14	11,20	10,60	15,0	15	9	16	4
ZR 16T2,5/15-2	1F	F02	15	12,00	11,40	15,0	15	9	16	4
ZR 16T2,5/16-2	1F	F03	16	12,80	12,20	16,0	16	9	16	4
ZR 16T2,5/18-2	6F	F04	18	14,40	13,80	17,5	10	10	16	4
ZR 16T2,5/19-2	6F	F05	19	15,20	14,60	18,0	10	10	16	4
ZR 16T2,5/20-2	6F	F06	20	16,00	15,40	20,0	11	10	16	4
ZR 16T2,5/22-2	6F	F07	22	17,60	17,00	23,0	11	10	16	4
ZR 16T2,5/24-2	6F	F07	24	19,15	18,55	23,0	12	10	16	4
ZR 16T2,5/25-2	6F	F07	25	19,95	19,35	23,0	13	10	16	4
ZR 16T2,5/26-2	6F	F09	26	20,75	20,15	25,0	14	10	16	4
ZR 16T2,5/28-2	6F	F09	28	22,35	21,75	25,0	14	10	16	4
ZR 16T2,5/30-2	6F	F09	30	23,95	23,35	28,0	16	10	16	6
ZR 16T2,5/32-2	6F	F10	32	25,95	24,95	32,0	16	10	16	6
ZR 16T2,5/36-2	6F	F12	36	28,75	28,10	36,0	20	10	16	6
ZR 16T2,5/40-2	6F	F14	40	31,90	31,30	38,0	22	10	16	6
ZR 16T2,5/44-0	6F	F15	44	35,10	34,50	42,0	24	10	16	6
ZR 16T2,5/48-0	6	-	48	38,30	37,70	-	26	10	16	6
ZR 16T2,5/60-0	6	-	60	47,85	47,25	-	34	10	16	8



T 5

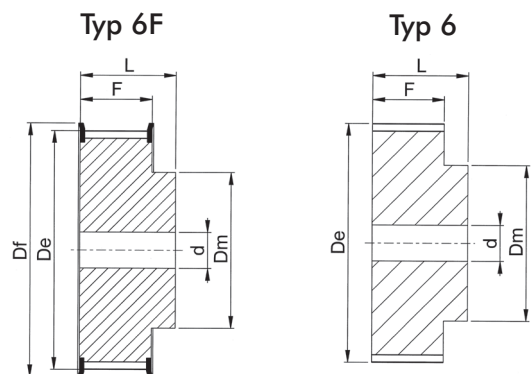
Teilung: 5 mm
Zahnriemenbreite: 10 mm

Artikel-Nr.	Typ	Bordscheiben	Zähne	Dp	De	Df	Dm	F	L	Vorbereitung d
[mm]										
ZR 21T5/10-2	6F	F06	10	16,05	15,05	20	8	15	21	4
ZR 21T5/12-2	6F	F07	12	19,25	18,25	23	11	15	21	4
ZR 21T5/14-2	6F	F08	14	22,45	21,45	25	13	15	21	4
ZR 21T5/15-2	6F	F09	15	24,05	23,05	28	16	15	21	6
ZR 21T5/16-2	6F	F10	16	25,06	24,60	32	18	15	21	6
ZR 21T5/18-2	6F	F10	18	28,80	27,80	32	20	15	21	6
ZR 21T5/19-2	6F	F12	19	30,40	29,40	36	22	15	21	6
ZR 21T5/20-2	6F	F12	20	32,00	31,00	36	23	15	21	6
ZR 21T5/22-2	6F	F14	22	35,15	34,15	38	24	15	21	6
ZR 21T5/24-2	6F	F15	24	38,40	37,40	42	26	15	21	6
ZR 21T5/25-2	6F	F17	25	39,95	38,95	44	26	15	21	6
ZR 21T5/26-2	6F	F17	26	41,60	40,60	44	26	15	21	6
ZR 21T5/27-2	6F	F18	27	43,20	42,20	48	30	15	21	8
ZR 21T5/28-2	6F	F18	28	44,75	43,75	48	32	15	21	8
ZR 21T5/30-2	6F	F19	30	47,95	46,95	51	34	15	21	8
ZR 21T5/32-2	6F	F20	32	51,10	50,10	54	38	15	21	8
ZR 21T5/36-2	6F	F24	36	57,45	56,45	64	38	15	21	8
ZR 21T5/40-2	6F	F25	40	63,85	62,85	66	40	15	21	8
ZR 21T5/42-2	6F	F26	42	67,00	66,00	70	40	15	21	8
ZR 21T5/44-0	6	-	44	70,20	69,20	-	45	15	21	8
ZR 21T5/48-0	6	-	48	76,55	75,55	-	50	15	21	8
ZR 21T5/60-0	6	-	60	95,65	94,65	-	65	15	21	8



Zahnriemenscheiben

Zahnriemenscheiben metrische Teilung



T 5

Teilung: 5 mm

Zahnriemenbreite: 16 mm

Artikel-Nr.	Typ	Bordscheiben	Zähne	Dp	De	Df	Dm	F	L	Vorbohrung d
ZR 27T5/10-2	6F	F06	10	16,05	15,05	20	8	21	27	4
ZR 27T5/12-2	6F	F07	12	19,25	18,25	23	11	21	27	4
ZR 27T5/14-2	6F	F08	14	22,45	21,45	25	13	21	27	4
ZR 27T5/15-2	6F	F09	15	24,05	23,05	28	16	21	27	6
ZR 27T5/16-2	6F	F10	16	25,06	24,60	32	18	21	27	6
ZR 27T5/18-2	6F	F10	18	28,80	27,80	32	20	21	27	6
ZR 27T5/19-2	6F	F12	19	30,40	29,40	36	22	21	27	6
ZR 27T5/20-2	6F	F12	20	32,00	31,00	36	23	21	27	6
ZR 27T5/22-2	6F	F14	22	35,15	34,15	38	24	21	27	6
ZR 27T5/24-2	6F	F15	24	38,40	37,40	42	26	21	27	6
ZR 27T5/25-2	6F	F17	25	39,95	38,95	44	26	21	27	6
ZR 27T5/26-2	6F	F17	26	41,60	40,60	44	26	21	27	6
ZR 27T5/27-2	6F	F18	27	43,20	42,20	48	30	21	27	8
ZR 27T5/28-2	6F	F18	28	44,75	43,75	48	32	21	27	8
ZR 27T5/30-2	6F	F19	30	47,95	46,95	51	34	21	27	8
ZR 27T5/32-2	6F	F20	32	51,10	50,10	54	38	21	27	8
ZR 27T5/36-2	6F	F24	36	57,45	56,45	64	38	21	27	8
ZR 27T5/40-2	6F	F25	40	63,85	62,85	66	40	21	27	8
ZR 27T5/42-2	6F	F26	42	67,00	66,00	70	40	21	27	8
ZR 27T5/44-0	6	-	44	70,20	69,20	-	45	21	27	8
ZR 27T5/48-0	6	-	48	76,55	75,55	-	50	21	27	8
ZR 27T5/60-0	6	-	60	95,65	94,65	-	65	21	27	8



T 5

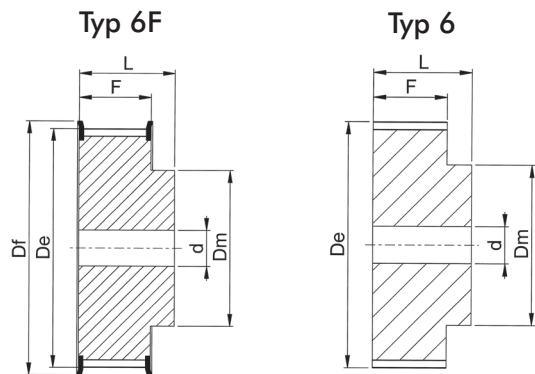
Teilung: 5 mm

Zahnriemenbreite: 25 mm

Artikel-Nr.	Typ	Bordscheiben	Zähne	Dp	De	Df	Dm	F	L	Vorbohrung d
ZR 36T5/10-2	6F	F06	10	16,05	15,05	20	8	30	36	4
ZR 36T5/12-2	6F	F07	12	19,25	18,25	23	11	30	36	4
ZR 36T5/14-2	6F	F08	14	22,45	21,45	25	13	30	36	4
ZR 36T5/15-2	6F	F09	15	24,05	23,05	28	16	30	36	6
ZR 36T5/16-2	6F	F10	16	25,06	24,60	32	18	30	36	6
ZR 36T5/18-2	6F	F10	18	28,80	27,80	32	20	30	36	6
ZR 36T5/19-2	6F	F12	19	30,40	29,40	36	22	30	36	6
ZR 36T5/20-2	6F	F12	20	32,00	31,00	36	23	30	36	6
ZR 36T5/22-2	6F	F14	22	35,15	34,15	38	24	30	36	6
ZR 36T5/24-2	6F	F15	24	38,40	37,40	42	26	30	36	8
ZR 36T5/25-2	6F	F17	25	39,95	38,95	44	26	30	36	8
ZR 36T5/26-2	6F	F17	26	41,60	40,60	44	26	30	36	8
ZR 36T5/27-2	6F	F18	27	43,20	42,20	48	30	30	36	8
ZR 36T5/28-2	6F	F18	28	44,75	43,75	48	32	30	36	8
ZR 36T5/30-2	6F	F19	30	47,95	46,95	51	34	30	36	8
ZR 36T5/32-2	6F	F20	32	51,10	50,10	54	38	30	36	8
ZR 36T5/36-2	6F	F24	36	57,45	56,45	64	38	30	36	8
ZR 36T5/40-2	6F	F25	40	63,85	62,85	66	40	30	36	8
ZR 36T5/42-2	6F	F26	42	67,00	66,00	70	40	30	36	8
ZR 36T5/44-0	6	-	44	70,20	69,20	-	45	30	36	8
ZR 36T5/48-0	6	-	48	76,55	75,55	-	50	30	36	8
ZR 36T5/60-0	6	-	60	95,65	94,65	-	65	30	36	8

Zahnriemenscheiben

Zahnriemenscheiben metrische Teilung



T 10

Teilung: 10 mm
Zahnriemenbreite: 16 mm

Artikel-Nr.	Typ	Bordscheiben	Zähne	Dp	De	Df	Dm	F	L	Vorbohrung d
ZR 31T10/12-2	6F	F15	12	38,35	36,35	42	28	21	31	6
ZR 31T10/14-2	6F	F18	14	44,70	42,70	48	32	21	31	8
ZR 31T10/15-2	6F	F19	15	47,90	45,90	51	32	21	31	8
ZR 31T10/16-2	6F	F20	16	51,10	49,10	54	35	21	31	8
ZR 31T10/18-2	6F	F22	18	57,45	55,45	60	40	21	31	8
ZR 31T10/19-2	6F	F25	19	60,65	58,65	66	44	21	31	8
ZR 31T10/20-2	6F	F25	20	63,80	61,80	66	46	21	31	8
ZR 31T10/22-2	6F	F27	22	70,20	68,20	75	52	21	31	8
ZR 31T10/24-2	6F	F29	24	76,55	74,55	83	58	21	31	8
ZR 31T10/25-2	6F	F29	25	79,75	77,70	83	60	21	31	8
ZR 31T10/26-2	6F	F30	26	82,90	80,90	87	60	21	31	8
ZR 31T10/27-2	6F	F31	27	86,10	84,10	91	60	21	31	8
ZR 31T10/28-2	6F	F32	28	89,25	87,25	93	60	21	31	8
ZR 31T10/30-2	6F	F33	30	95,65	93,65	97	60	21	31	8
ZR 31T10/32-2	6F	F35	32	102,00	100,00	106	65	21	31	10
ZR 31T10/36-2	6F	F38	36	114,75	112,75	120	70	21	31	10
ZR 31T10/40-2	6F	F41	40	127,45	125,45	131	80	21	31	10
ZR 31T10/44-0	6	-	44	140,20	138,20	-	88	21	31	10
ZR 31T10/48-0	6	-	48	152,95	150,95	-	95	21	31	16
ZR 31T10/60-0	6	-	60	191,15	189,10	-	110	21	31	16



T 10

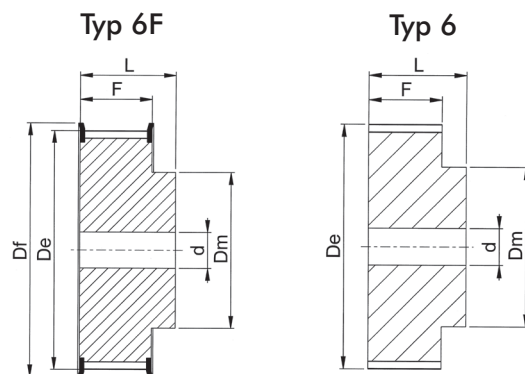
Teilung: 10 mm
Zahnriemenbreite: 25 mm

Artikel-Nr.	Typ	Bordscheiben	Zähne	Dp	De	Df	Dm	F	L	Vorbohrung d
ZR 40T10/12-2	6F	F15	12	38,35	36,35	42	28	30	40	6
ZR 40T10/14-2	6F	F18	14	44,70	42,70	48	32	30	40	8
ZR 40T10/15-2	6F	F19	15	47,90	45,90	51	32	30	40	8
ZR 40T10/16-2	6F	F20	16	51,10	49,10	54	35	30	40	8
ZR 40T10/18-2	6F	F22	18	57,45	55,45	60	40	30	40	8
ZR 40T10/19-2	6F	F25	19	60,65	58,65	66	44	30	40	8
ZR 40T10/20-2	6F	F25	20	63,80	61,80	66	46	30	40	8
ZR 40T10/22-2	6F	F27	22	70,20	68,20	75	52	30	40	8
ZR 40T10/24-2	6F	F29	24	76,55	74,55	83	58	30	40	8
ZR 40T10/25-2	6F	F29	25	79,75	77,70	83	60	30	40	8
ZR 40T10/26-2	6F	F30	26	82,90	80,90	87	60	30	40	8
ZR 40T10/27-2	6F	F31	27	86,10	84,10	91	60	30	40	8
ZR 40T10/28-2	6F	F32	28	89,25	87,25	93	60	30	40	8
ZR 40T10/30-2	6F	F33	30	95,65	93,65	97	60	30	40	8
ZR 40T10/32-2	6F	F35	32	102,00	100,00	106	65	30	40	10
ZR 40T10/36-2	6F	F38	36	114,75	112,75	120	70	30	40	10
ZR 40T10/40-2	6F	F41	40	127,45	125,45	131	80	30	40	10
ZR 40T10/44-0	6	-	44	140,20	138,20	-	88	30	40	10
ZR 40T10/48-0	6	-	48	152,95	150,95	-	95	30	40	16
ZR 40T10/60-0	6	-	60	191,15	189,10	-	110	30	40	16



Zahnriemenscheiben

Zahnriemenscheiben metrische Teilung



T 10

Teilung: 10 mm
Zahnriemenbreite: 32 mm

Artikel-Nr.	Typ	Bordscheiben	Zähne	Dp	De	Df	Dm	F	L	Vorbohrung d
				[mm]						
ZR 47T10/18-2	6F	F22	18	57,45	55,45	60	40	37	47	10
ZR 47T10/19-2	6F	F25	19	60,65	58,65	66	44	37	47	10
ZR 47T10/20-2	6F	F25	20	63,80	61,80	66	46	37	47	12
ZR 47T10/22-2	6F	F27	22	70,20	68,20	75	52	37	47	12
ZR 47T10/24-2	6F	F29	24	76,55	74,55	83	58	37	47	12
ZR 47T10/25-2	6F	F29	25	79,75	77,70	83	60	37	47	12
ZR 47T10/26-2	6F	F30	26	82,90	80,90	87	60	37	47	12
ZR 47T10/27-2	6F	F31	27	86,10	84,10	91	60	37	47	12
ZR 47T10/28-2	6F	F32	28	89,25	87,25	93	60	37	47	12
ZR 47T10/30-2	6F	F33	30	95,65	93,65	97	60	37	47	12
ZR 47T10/32-2	6F	F35	32	102,00	100,00	106	65	37	47	12
ZR 47T10/36-2	6F	F38	36	114,75	112,75	120	70	37	47	16
ZR 47T10/40-2	6F	F41	40	127,45	125,45	131	80	37	47	16
ZR 47T10/44-0	6	-	44	140,20	138,20	-	88	37	47	16
ZR 47T10/48-0	6	-	48	152,95	150,95	-	95	37	47	16
ZR 47T10/60-0	6	-	60	191,10	189,10	-	110	37	47	16



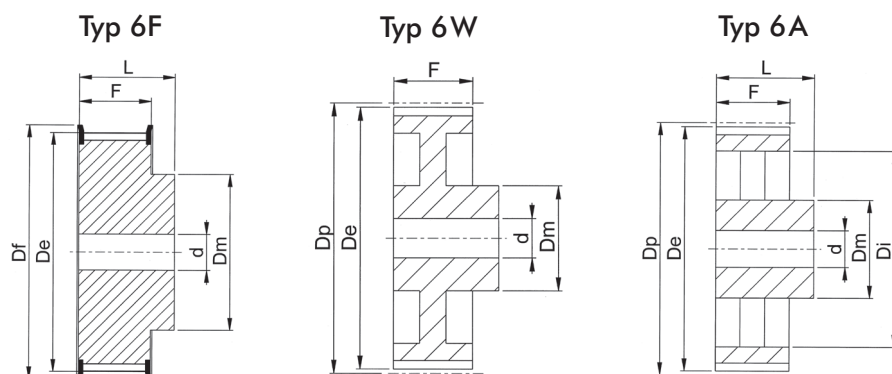
T 10

Teilung: 10 mm
Zahnriemenbreite: 50 mm

Artikel-Nr.	Typ	Bordscheiben	Zähne	Dp	De	Df	Dm	F	L	Vorbohrung d
				[mm]						
ZR 66T10/18-2	6F	F22	18	57,45	55,45	60	40	56	66	10
ZR 66T10/19-2	6F	F25	19	60,65	58,65	66	44	56	66	10
ZR 66T10/20-2	6F	F25	20	63,80	61,80	66	46	56	66	12
ZR 66T10/22-2	6F	F27	22	70,20	68,20	75	52	56	66	12
ZR 66T10/24-2	6F	F29	24	76,55	74,55	83	58	56	66	12
ZR 66T10/25-2	6F	F29	25	79,75	77,70	83	60	56	66	12
ZR 66T10/26-2	6F	F30	26	82,90	80,90	87	60	56	66	12
ZR 66T10/27-2	6F	F31	27	86,10	84,10	91	60	56	66	12
ZR 66T10/28-2	6F	F32	28	89,25	87,25	93	60	56	66	12
ZR 66T10/30-2	6F	F33	30	95,65	93,65	97	60	56	66	12
ZR 66T10/32-2	6F	F35	32	102,00	100,00	106	65	56	66	12
ZR 66T10/36-2	6F	F38	36	114,75	112,75	120	70	56	66	16
ZR 66T10/40-2	6F	F41	40	127,45	125,45	131	80	56	66	16
ZR 66T10/44-0	6	-	44	140,20	138,20	-	88	56	66	16
ZR 66T10/48-0	6	-	48	152,95	150,95	-	95	56	66	16
ZR 66T10/60-0	6	-	60	191,10	189,10	-	110	56	66	16

Zahnriemenscheiben

Zahnriemenscheiben metrische Teilung



T 20

Teilung: 20 mm
Zahnriemenbreite: 32 mm

	Artikel-Nr.	Typ	Bordscheiben	Zähne	De	Df	Dm	F	L	Vorbohrung d
Grauguss	ZR 53T20/18-2	6F	F38	18	111,75	120	80	38	53	15
	ZR 53T20/20-2	6F	F43	20	124,50	138	90	38	53	15
	ZR 53T20/22-2	6F	F46	22	137,20	146	90	38	53	15
	ZR 53T20/24-2	6F	F50	24	149,95	158	95	38	53	15
	ZR 53T20/25-2	6F	F52	25	156,30	168	95	38	53	15
	ZR 53T20/30-2	6F	F59	30	188,15	200	110	38	53	15
	ZR 53T20/32-2	6W		32	200,85		110	38	53	18
	ZR 53T20/36-2	6W		36	226,35		110	38	53	18
	ZR 53T20/40-2	6A		40	251,80		110	38	53	20
	ZR 53T20/48-2	6A		48	302,70		130	38	53	20
ZR 53T20/60-2	6A		60	379,10		130	38	53	20	
ZR 53T20/72-2	6A		72	455,50		140	38	53	20	

Teilung: 20 mm
Zahnriemenbreite: 50 mm

	Artikel-Nr.	Typ	Bordscheiben	Zähne	De	Df	Dm	F	L	Vorbohrung d
Gußeisen	ZR 71T20/18-2	6F	F38	18	111,75	120	80	56	71	18
	ZR 71T20/20-2	6F	F43	20	124,50	138	90	56	71	18
	ZR 71T20/22-2	6F	F46	22	137,20	146	90	56	71	18
	ZR 71T20/24-2	6F	F50	24	149,95	158	95	56	71	18
	ZR 71T20/25-2	6F	F52	25	156,30	168	95	56	71	18
	ZR 71T20/30-2	6F	F59	30	188,15	200	110	56	71	18
	ZR 71T20/32-2	6W		32	200,85		110	56	71	20
	ZR 71T20/36-2	6W		36	226,35		110	56	71	20
	ZR 71T20/40-2	6A		40	251,80		110	56	71	20
	ZR 71T20/48-2	6A		48	302,70		130	56	71	24
ZR 71T20/60-2	6A		60	379,10		130	56	71	24	
ZR 71T20/72-2	6A		72	455,50		140	56	71	24	

Teilung: 20 mm
Zahnriemenbreite: 100 mm

	Artikel-Nr.	Typ	Bordscheiben	Zähne	De	Df	Dm	F	L	Vorbohrung d
Gußeisen	ZR 123T20/18-2	6F	F38	18	111,75	120	80	108	123	24
	ZR 123T20/20-2	6F	F43	20	124,50	138	90	108	123	24
	ZR 123T20/22-2	6F	F46	22	137,20	146	90	108	123	24
	ZR 123T20/24-2	6F	F50	24	149,95	158	95	108	123	24
	ZR 123T20/25-2	6F	F52	25	156,30	168	95	108	123	24
	ZR 123T20/30-2	6F	F59	30	188,15	200	110	108	123	24
	ZR 123T20/32-2	6W		32	200,85		110	108	123	32
	ZR 123T20/36-2	6W		36	226,35		110	108	123	32
	ZR 123T20/40-2	6A		40	251,80		110	108	123	32
	ZR 123T20/48-2	6A		48	302,70		130	108	123	32
ZR 123T20/60-2	6A		60	379,10		130	108	123	32	
ZR 123T20/72-2	6A		72	455,50		140	108	123	32	



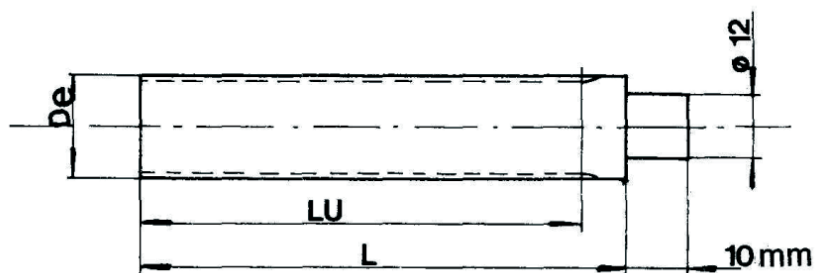


Zahnriemenstangen

Zahnriemenstangen metrische Teilung

Standard

Material: Aluminium



T 2,5

Teilung: 2,5 mm

Artikel-Nr.	Zähnezahl	De	LU	L
[mm]				
ZRST- T 2,5-10	10	7,42	50	75
ZRST- T 2,5-12	12	9,00	50	75
ZRST- T 2,5-13	13	9,80	50	75
ZRST- T 2,5-14	14	10,60	50	75
ZRST- T 2,5-15	15	11,40	50	75
ZRST- T 2,5-16	16	12,20	50	75
ZRST- T 2,5-17	17	13,00	50	75
ZRST- T 2,5-18	18	13,80	50	75
ZRST- T2,5-19	19	14,60	90	120
ZRST- T2,5-20	20	15,40	90	120
ZRST- T2,5-21	21	16,20	90	120
ZRST- T2,5-22	22	17,00	125	140
ZRST- T2,5-24	24	18,55	125	1410
ZRST- T2,5-26	26	20,15	125	140
ZRST- T2,5-27	27	20,95	125	140
ZRST- T2,5-28	28	21,75	125	140
ZRST- T2,5-29	29	22,55	125	140
ZRST- T2,5-30	30	23,35	125	140
ZRST- T2,5-32	32	24,95	125	140
ZRST- T2,5-34	34	26,55	125	140
ZRST- T2,5-35	35	27,35	132	140
ZRST- T2,5-36	36	28,10	132	140
ZRST- T2,5-38	38	29,70	132	140
ZRST- T2,5-40	40	31,30	132	140
ZRST- T2,5-42	42	32,90	140	140
ZRST- T2,5-44	44	34,50	140	140
ZRST- T2,5-45	45	35,30	140	140
ZRST- T2,5-48	48	37,70	140	140
ZRST- T2,5-50	50	39,29	160	160
ZRST- T2,5-60	60	47,25	160	160
ZRST- T2,5-65	65	51,20	160	160
ZRST- T2,5-70	70	55,20	160	160
ZRST- T2,5-72	72	56,80	160	160
ZRST- T2,5-90	90	71,12	160	160
ZRST- T2,5-100	100	79,08	160	160

T 5

Teilung: 5 mm

Artikel-Nr.	Zähnezahl	De	LU	L
[mm]				
ZRST- T5-10	10	15,05	125	140
ZRST- T5-11	11	16,65	125	140
ZRST- T5-12	12	18,25	125	140
ZRST- T5-13	13	19,85	125	140
ZRST- T5-14	14	21,45	132	140
ZRST- T5-15	15	23,05	132	140
ZRST- T5-16	16	24,60	140	140
ZRST- T5-17	17	26,20	140	140
ZRST- T5-18	18	27,80	140	140
ZRST- T5-19	19	29,40	140	140
ZRST- T5-20	20	31,00	160	160
ZRST- T5-21	21	32,70	160	160
ZRST- T5-22	22	34,15	160	160
ZRST- T5-23	23	35,85	160	160
ZRST- T5-24	24	37,40	160	160
ZRST- T5-25	25	38,95	160	160
ZRST- T5-26	26	40,60	160	160
ZRST- T5-27	27	42,20	160	160
ZRST- T5-28	28	43,75	160	160
ZRST- T5-29	29	45,35	160	160
ZRST- T5-30	30	46,95	160	160
ZRST- T5-32	32	50,10	160	160
ZRST- T5-34	34	53,25	160	160
ZRST- T5-35	35	54,85	160	160
ZRST- T5-36	36	56,45	160	160
ZRST- T 2,5	37	58,06	160	160
ZRST- T5-38	38	59,65	160	160
ZRST- T5-40	40	62,85	160	160
ZRST- T5-42	42	66,00	160	160
ZRST- T5-44	44	69,20	160	160
ZRST- T5-45	45	70,80	160	160
ZRST- T5-46	46	72,40	160	160
ZRST- T5-48	48	75,55	160	160
ZRST- T5-50	50	78,75	160	160
ZRST- T5-60	60	94,65	160	160
ZRST- T5-72	72	113,75	160	160
ZRST- T5-80	80	126,48	160	160
ZRST- T5-90	90	142,40	160	160
ZRST- T5-100	100	158,31	160	160

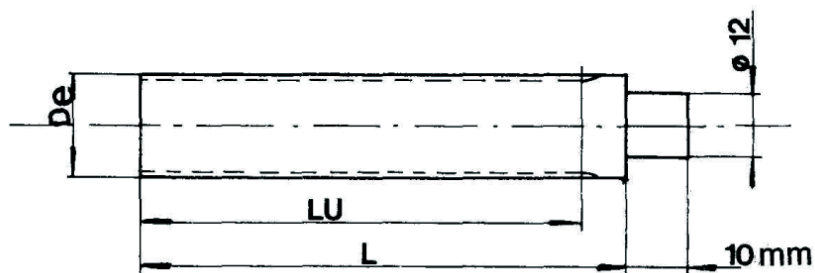


Zahnriemenscheiben

Zahnriemenstangen metrische Teilung



Standard
Material: Aluminium



T 10

Teilung: 10 mm

Artikel-Nr.	Zähnezahl	De	LU	L
		[mm]		
ZRST- T10-10	10	23,98	140	140
ZRST- T10-11	11	33,16	140	140
ZRST- T10-12	12	36,35	140	140
ZRST- T10-13	13	39,50	140	140
ZRST- T10-14	14	42,70	160	160
ZRST- T10-15	15	45,90	160	160
ZRST- T10-16	16	49,10	160	160
ZRST- T10-17	17	52,25	160	160
ZRST- T10-18	18	55,45	160	160
ZRST- T10-19	19	58,65	160	160
ZRST- T10-20	20	61,80	160	160
ZRST- T10-21	21	65,00	160	160
ZRST- T10-22	22	68,20	160	160
ZRST- T10-23	23	17,35	160	160
ZRST- T10-24	24	74,55	160	160
ZRST- T10-26	26	80,90	160	160
ZRST- T10-28	28	57,25	160	160
ZRST- T10-30	30	93,65	160	160
ZRST- T10-32	32	100,00	160	160
ZRST- T10-34	34	106,40	160	160
ZRST- T10-36	36	112,75	160	160
ZRST- T10-38	38	119,10	160	160
ZRST- T10-40	40	125,45	160	160
ZRST- T10-45	45	141,40	160	160
ZRST- T10-48	48	150,95	160	160
ZRST- T10-60	60	189,10	160	160
ZRST- T10-72	72	227,29	160	160

